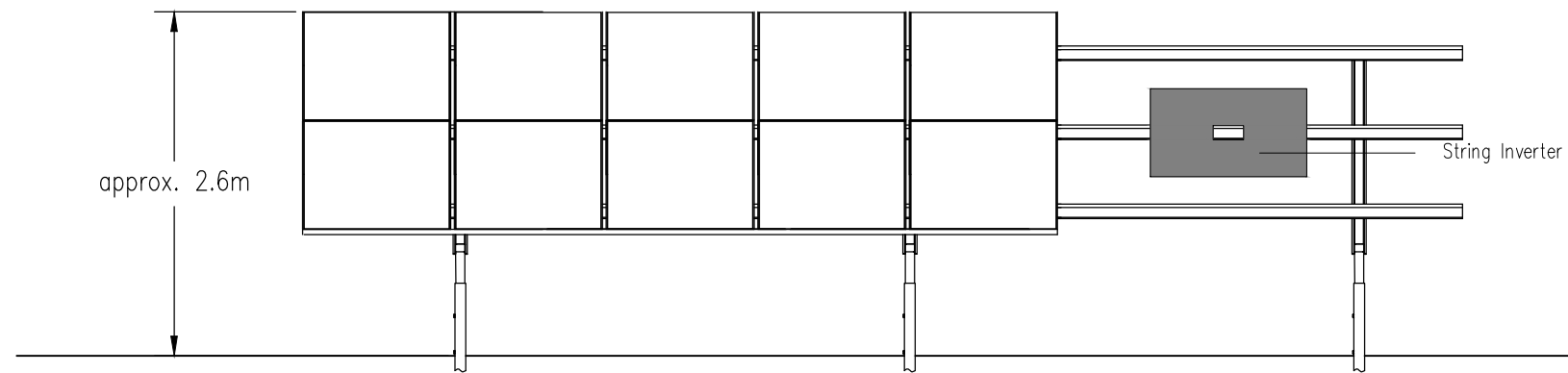
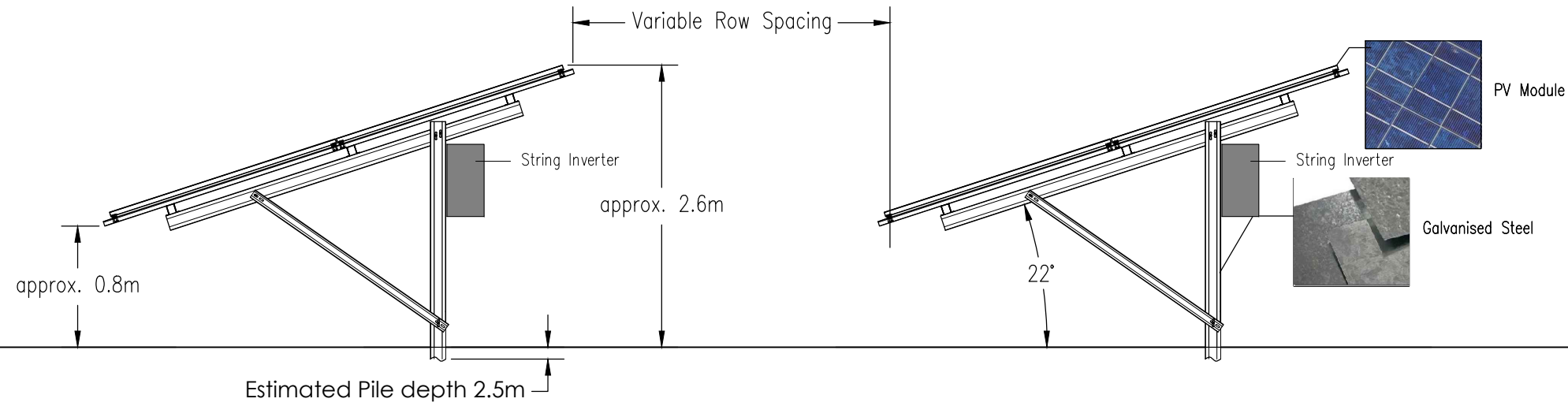




Notes: Unless otherwise stated, this drawing is for information only. Do not scale. Use figured dimensions only. Check all dimensions on site and advise of any discrepancies before commencing work on site.

Digital Transmissions: This data is supplied only as a means to aid you in the production of your work, the data should always be checked against the hard copy of the drawing. Some of the data may have been produced by imparting data from external sources. Discrepancies may have occurred during this procedure. BSR cannot accept responsibility for any discrepancies within the CAD data file. No third party shall issue BSR data/drawings without the written approval of BSR. BSR check all data for viruses but cannot accept responsibility for any loss incurred by any third party as a result of installing data.

OS License No. :- 100022432



Rev:	Revision History:	Date:	By:
01	Initial Issue	23/10/19	AK
02	Pile depth note added	13/12/19	MB
03	Updated dimensions	03/03/20	AK
04	Updated dimensions	17/06/20	JA
05	Layout notes amended	12/08/20	JA
06	Scale Added	28/10/20	MB
07	Inverter added	04/06/21	JA

35 and 35a The Mallings E:info@brillshrenewables.com  
 Lower Charlton Trading Estate, T:01458 224900  
 Shepton Mallet, W:www.brillshrenewables.com  
 Somerset,BA4 5QE  
 United Kingdom

Project:  
Rush Wall Solar Park

Location:  
South of Rush Wall Lane  
Redwick,  
Caldicot  
NP26 3DX

Title:  
Mounting System

Scale: 1:50 @ A3

Issue Notes:  
String inverters added

Drawn By:  
JA Issue Date:  
04/06/21

Checked By:  
MB Checked Date:  
04/06/21

Approved By:  
RP Approved Date:  
15/11/21

Drawing Number:  
1578-0201-28

Figure 2-17

Drawing Status:  
For Approval Issue:  
07

