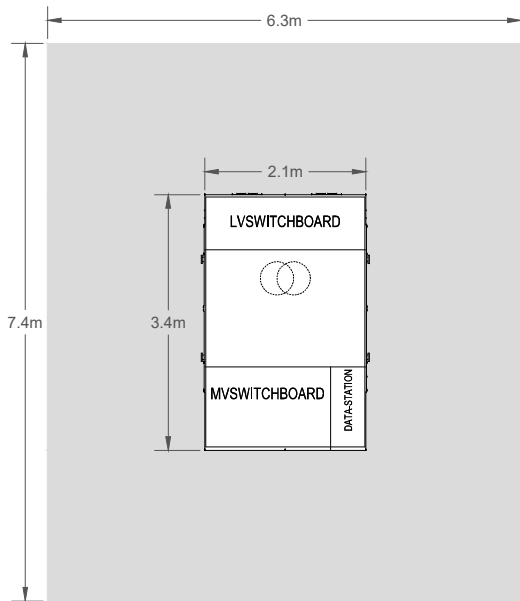
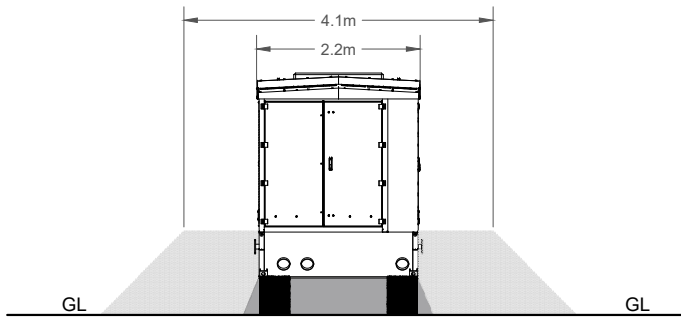


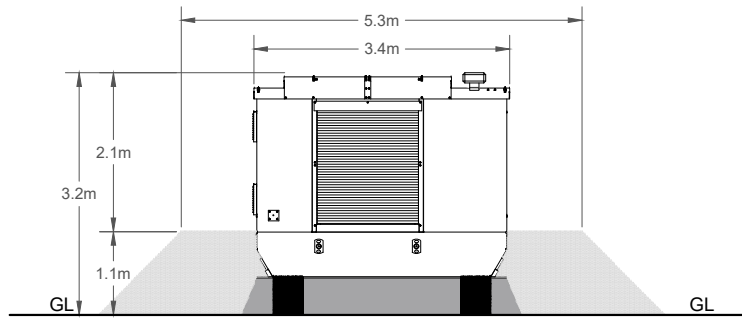
### Plan View



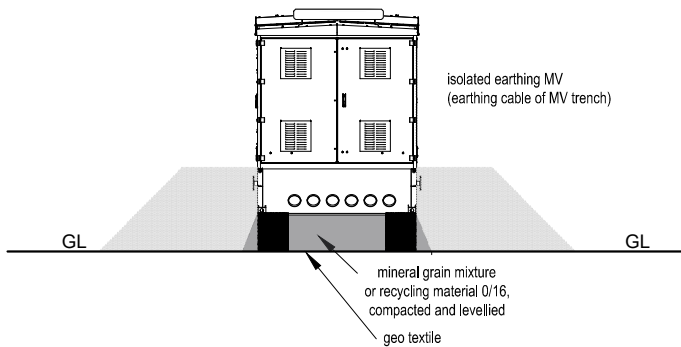
### Side View (MV Switchboard)



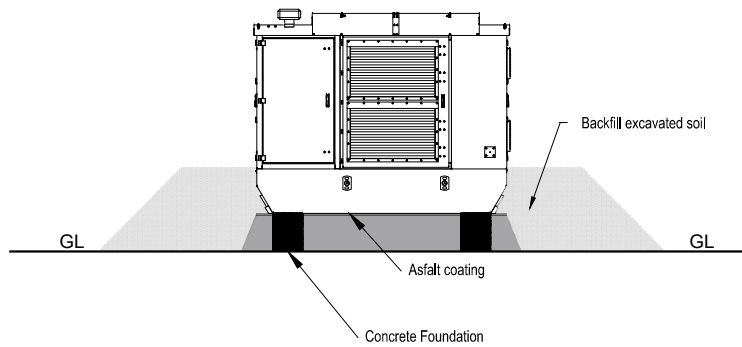
### Back View



### Side View (LV Switchboard)



### Front View



Rev:	Revision History:	Date:	By:
01	Initial Issue	04/06/21	JA

35 and 35a The Mallings  
 Lower Charlton Trading Estate,  
 Shepton Mallet,  
 Somerset BA4 5QE  
 United Kingdom

Info@britishrenewables.com  
 T:01458 224900  
 W:www.britishrenewables.com

Project:  
 Rush Wall Solar Park

Location:  
 South of Rush Wall Lane  
 Redwick,  
 Caldicot  
 NP26 3DX

Title:  
 Transformer Station Detail

Scale: 1:100 @A3

Issue Name:  
 Initial Issue

Drawn By: JA	Issue Date: 04/06/21
Checked By: MB	Checked Date: 04/06/21
Approved By: RP	Approved Date: 15/11/21

Drawing Number:  
 1578-0207-00

Figure 2-19

Drawing Status:  
 For Approval

Issue:  
 01

