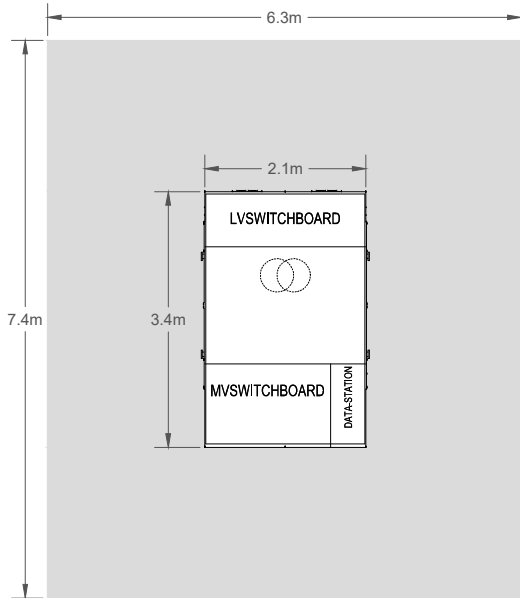
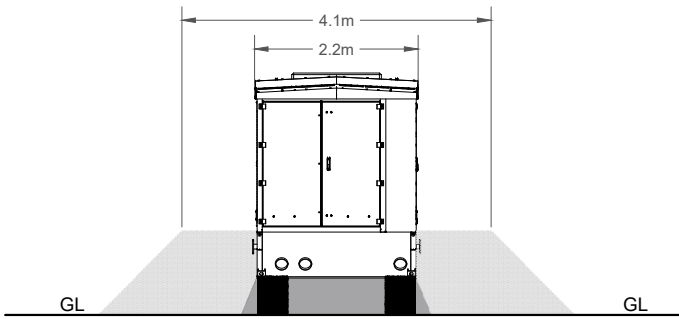


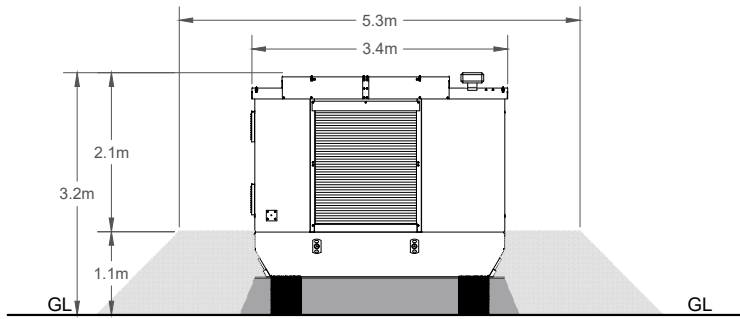
Plan View



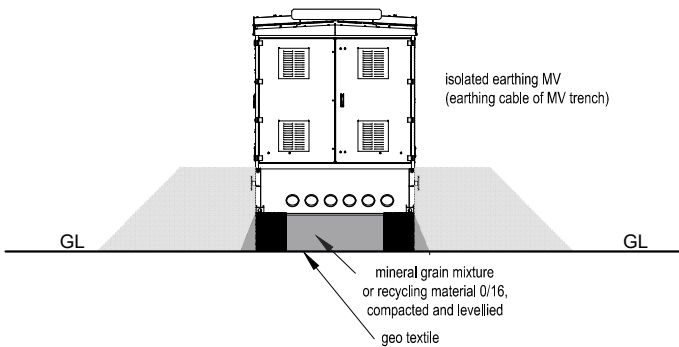
Side View (MV Switchboard)



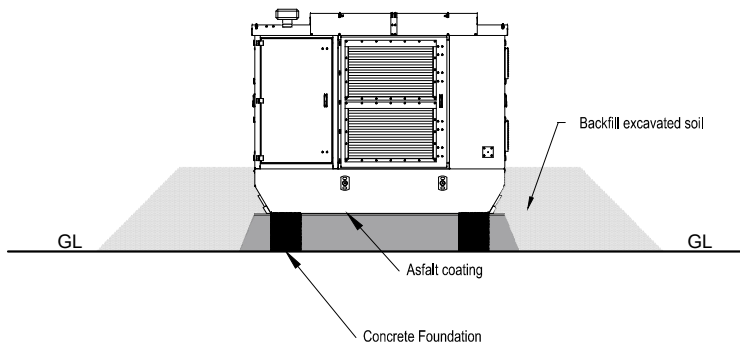
Back View



Side View (LV Switchboard)



Front View



Rev:	Revision History:	Date:	By:
01	Initial Issue	04/06/21	JA

35 and 35a The Mallings
 Lower Charlton Trading Estate,
 Shepton Mallet,
 Somerset BA4 5QE
 United Kingdom

Info@britishrenewables.com
 T:01458 224900
 W:www.britishrenewables.com

Project:
 Rush Wall Solar Park

Location:
 South of Rush Wall Lane
 Redwick,
 Caldicot
 NP26 3DX

Title:
 Transformer Station Detail

Scale: 1:100 @A3

Issue Notes:
 Initial Issue

Drawn By: JA	Issue Date: 04/06/21
Checked By: NB	Checked Date: 04/06/21
Approved By: RP	Approved Date: 15/11/21

Drawing Number:
 1578-0207-00

Drawing Status:
 For Approval

Issue:
 01

